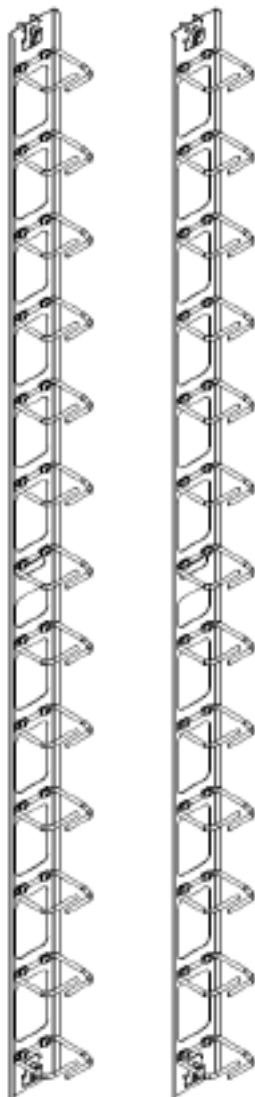


**42RU / 45RU Vertical Cable Manager with  
3.25" Cable Hoops (82.55mm) for IQS cabinet**



**FEATURES**

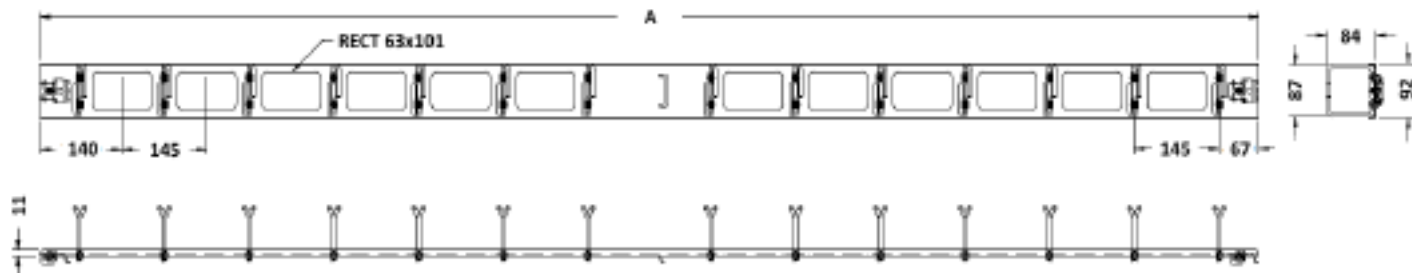
- Zero U installation
- 14 x 3.25" metal rod cable hoop
- Each hoop can hold approximately 180 standard CAT 5e cables.
- Ideal for high density cable applications.
- Large cutouts for cable routing between cabinets.
- Quick and easy installation.
- RoHS compliant
- Conforms to ASTM D610-01 and ASTM B117 (500 hours salt spray test)

**MATERIALS/FINISH**

- High grade cold rolled steel.
- Powder coat finish preceded by 5 stage iron phosphate pretreatment.
- Standard color is low gloss black.

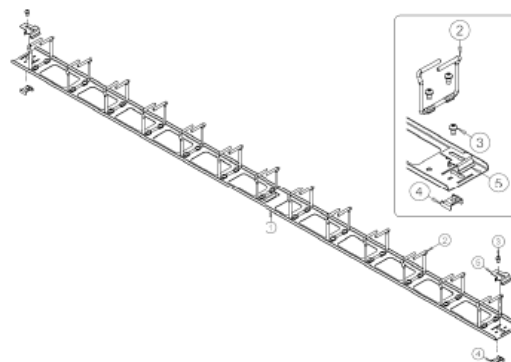
Part No.	Description
IQS9506	IQS Vertical Cable Manager with 3.25" Hoops 42RU
IQS9507	IQS Vertical Cable Manager with 3.25" Hoops 45RU

**DIMENSIONS**



**PART LIST (Refer dimensions drawing above)**

Description	Quantity
1. Vertical Cable Manager 3.25i 42RU/45RU	1 piece
2. Cable Hoop	14 pieces
3. Post Clamp	2 pieces
4. Post Hanging bracket	2 pieces
5. Screw Pan Head M6x12 T-30	30 pieces



**INSTALLATION**

1. Lift assembled vertical cable manager up then hang to top, middle and bottom side brace.
2. Insert Torx screw driver T-30 tip into the head of T-30 M6 screw at upper Vertical cable manager , slide screw driver up until post clamp (inside) were firmly engaged with upper side of top post mounting channel then tighten screw.
3. Do the same process as step 2 at bottom end of Vertical cable manager.

Note: 4-5 Nm torque

